



**PTH GROUP s.r.l.** - Via Ticino 15 - 21043 Castiglione Olona (VA) - ITALY  
Tel +39 0331 858378 - Fax +39 0331 824390 - E-mail: [info@pth-group.com](mailto:info@pth-group.com)  
Web site: [www.pth-group.com](http://www.pth-group.com)

## **ELECTRONIC PLASTIC PROFILES**

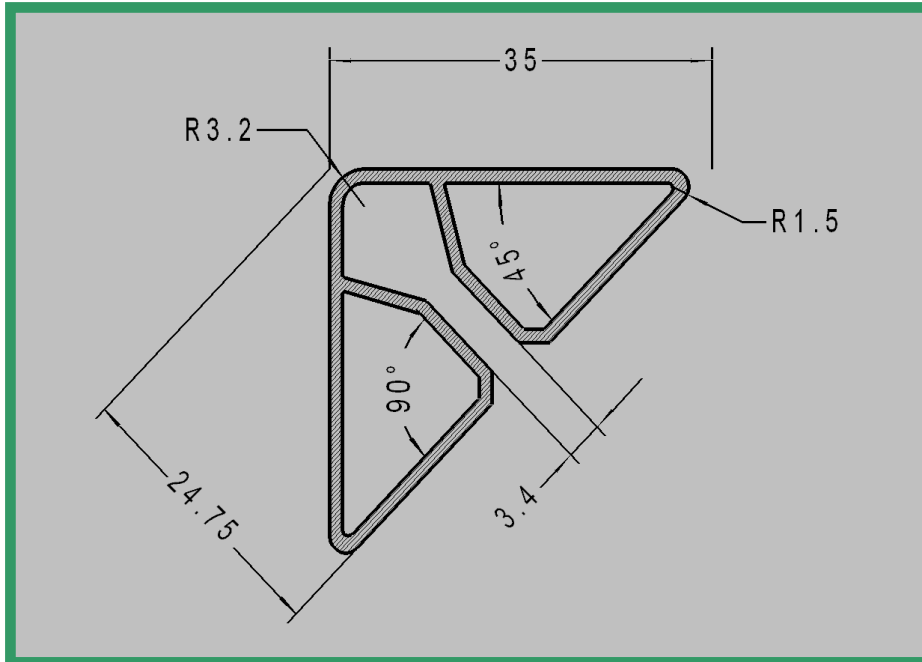
**Some drawings of this catalog are exclusive property of our customers**

# PTM

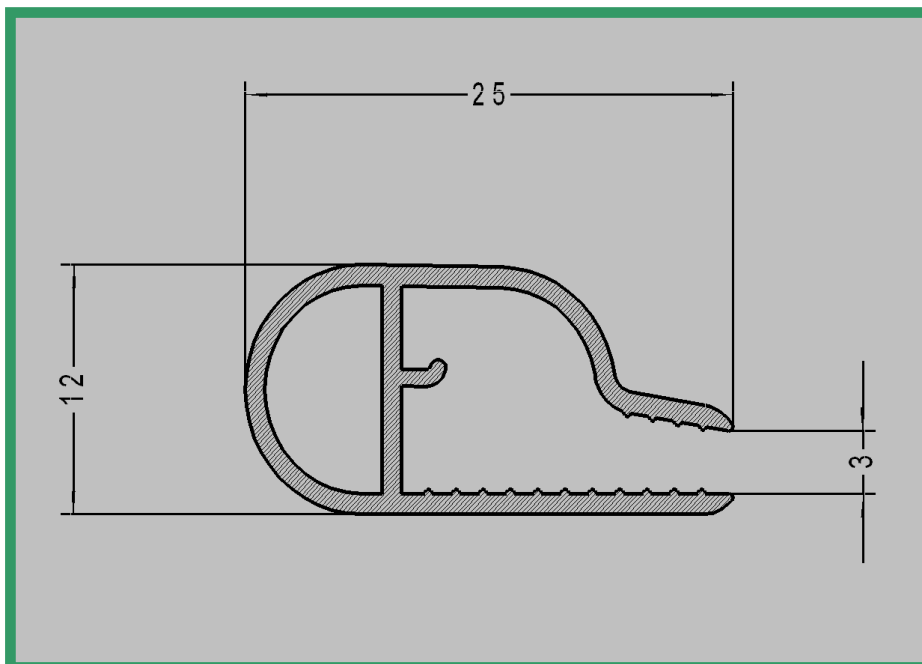


# ELECTRONIC PROFILES

**Profile 2010.01**  
**Material : PP**

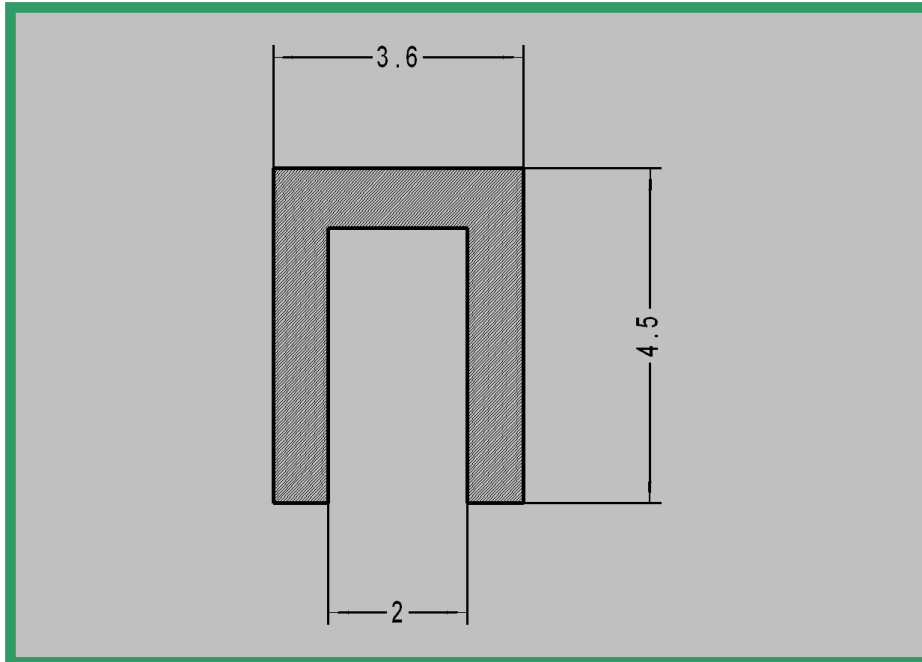


**Profile 2010.02**  
**Material : PVC**

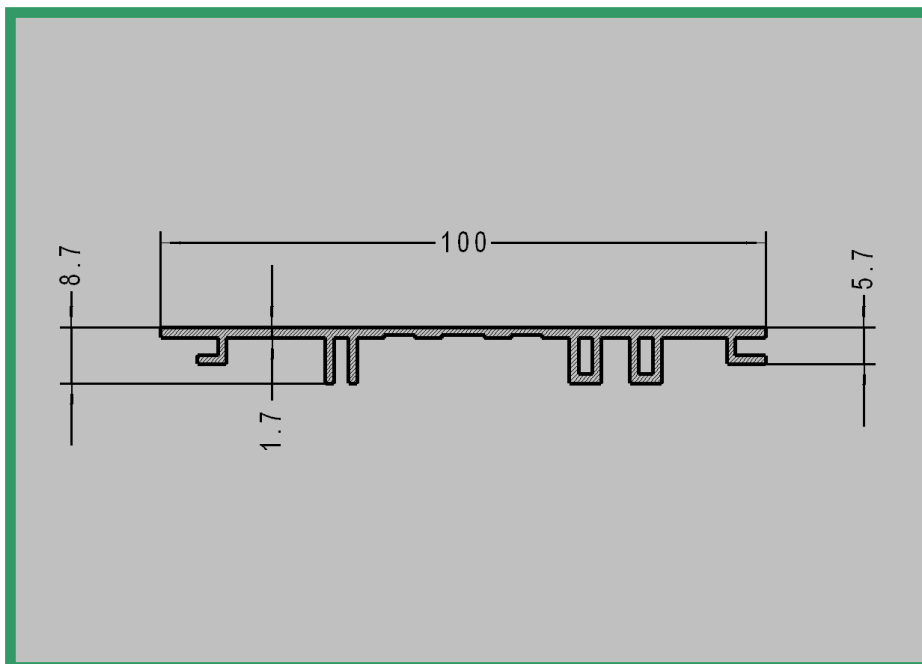


# ELECTRONIC PROFILES

**Profile 2010.03**  
**Material : ABS**

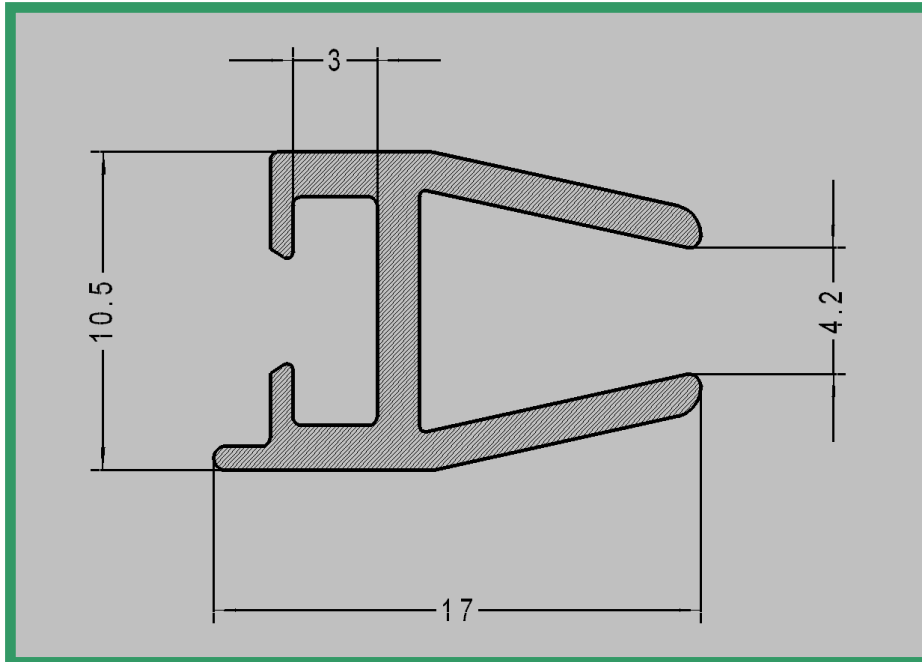


**Profile 2010.04**  
**Material : ABS**

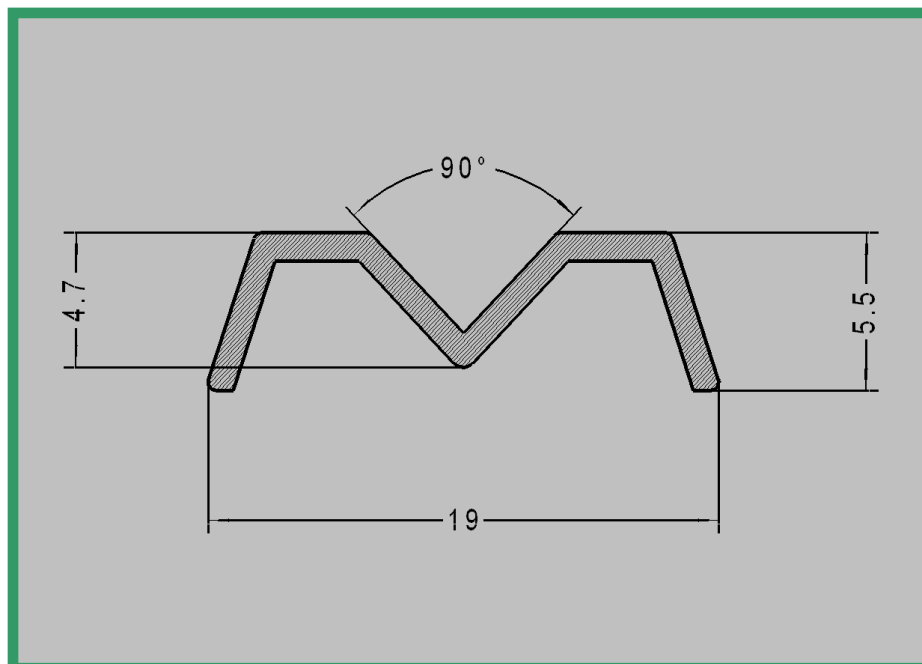


# ELECTRONIC PROFILES

**Profile 2010.05**  
**Material : PC**

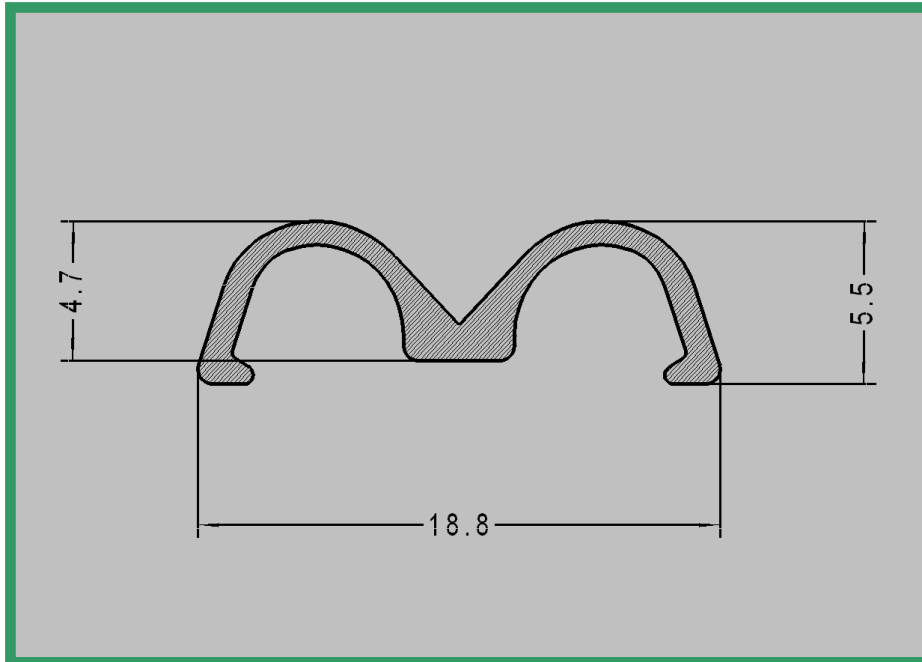


**Profile 2010.06**  
**Material : PC**

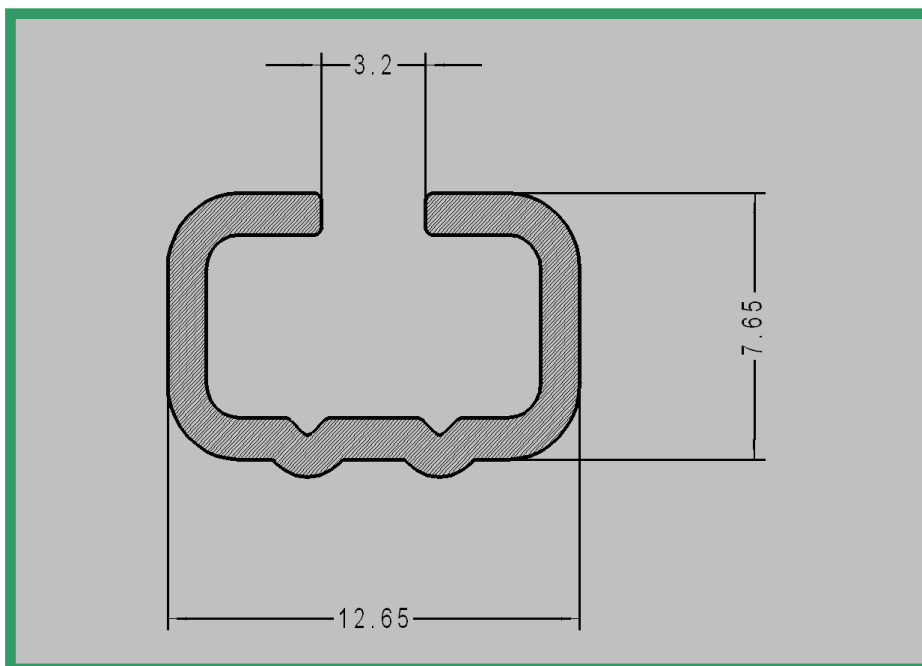


# ELECTRONIC PROFILES

**Profile 2010.07**  
**Material : PC**

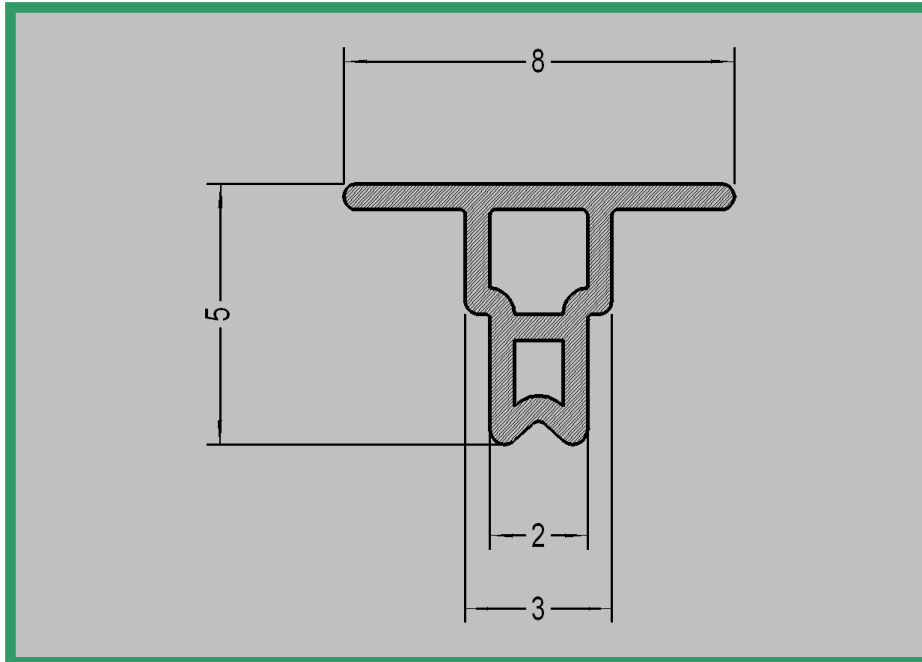


**Profile 2010.08**  
**Material : PC**

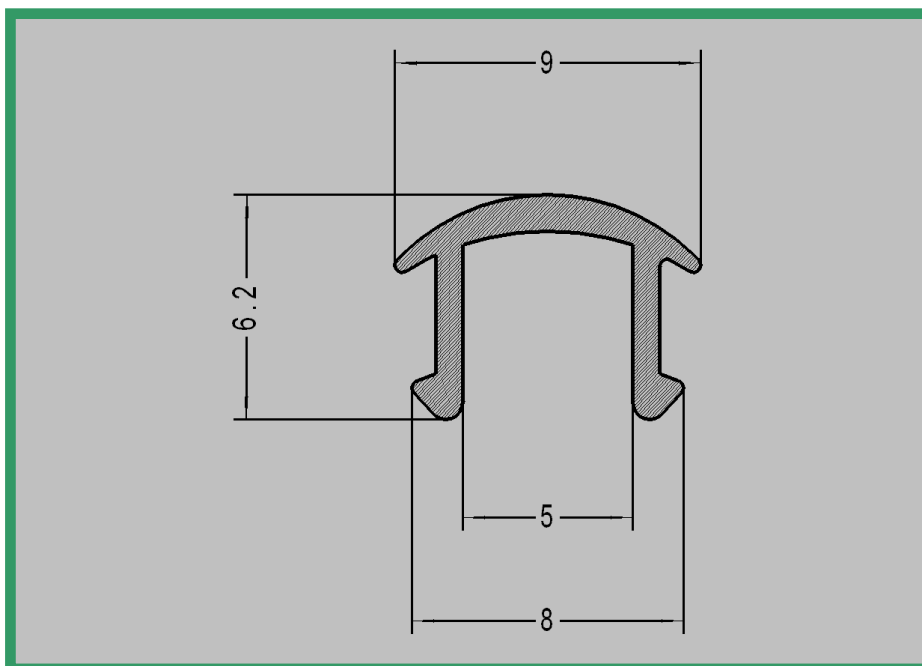


# ELECTRONIC PROFILES

**Profile 2010.09**  
**Material : PC**

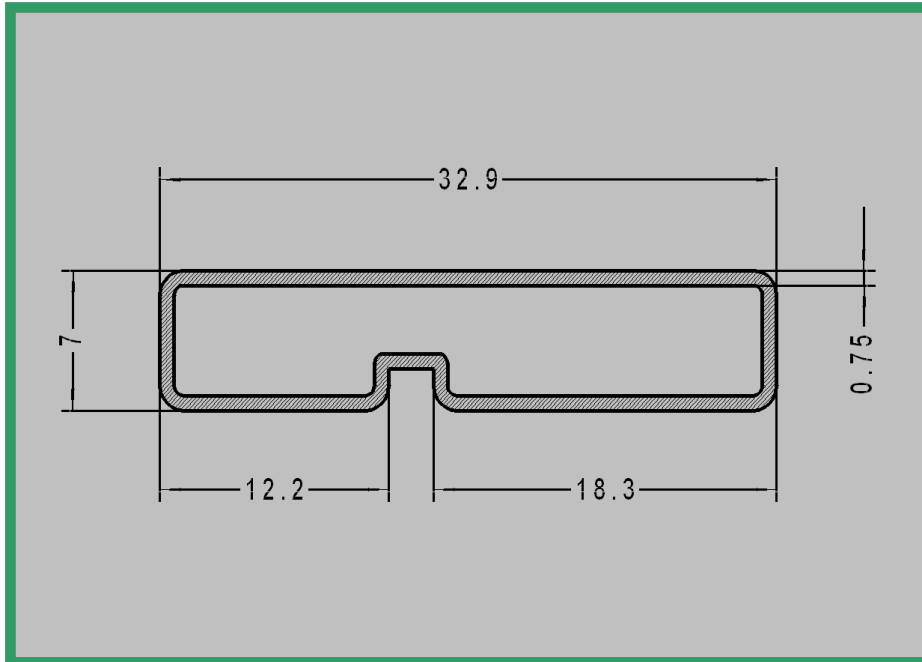


**Profile 2010.10**  
**Material : PC**



# ELECTRONIC PROFILES

**Profile 2010.11**  
**Material : PVC**



**Profile 2010.12**  
**Material : ABS**

